

Jouplast®

DIRECTION FOR USE

**USING ADJUSTABLE RISER
PEDESTALS TO CREATE A
PAVED TERRACE**



10
WARRANTY
YEARS

www.jouplast.com



RECOMMENDATIONS

Please note:

Always follow paving manufacturer recommendations to ensure the suitability of paving products for use with riser pedestals and the number of risers per m² to use. Qualification of compulsory "SELF-SUPPORTING" slabs, of class T7, T11 according to standard EN 1339:2004-02.

Quantity riser/m² : Depending on slab manufacturers' advice, please add one riser in the middle of the slab, or under widerlengths.

› DIRECTION OF LAYING

From an aesthetic perspective, it is better to lay cut slabs against walls (whole slabs on the outside).

› ON A CONCRETE BASE OR ONTO THE GROUND, A SLIGHT INCLINE OF 1% IS RECOMMENDED FOR DRAINAGE.

› WHY DOES THE GROUND SURFACE NEED TO BE PREPARED FOR BUILDING A TERRACE ON RISER PEDESTALS?

The surface on which the terrace will be built must be prepared before work can begin.

Unprepared ground (e.g. unprepared soil or lawn) may change over time and can be subject to movement, depending on the weight it is required to bear and the weather conditions to which it will be subject (dry periods, heavy rainfall, etc.).

For these reasons, it is important to stabilise the ground beneath the terrace to ensure its long-term stability.

› REALISATION OF A TERRACE WITH SELF LEVELLING RISERS

We recommend the installation of a row of standard risers on the opposite facade instead of self levelling risers in order to stabilise the slabs at the thresholds of doors and patio doors.

If and only if the side finishing of the terrace is not planned or impossible, we also recommend the installation of a row of standard risers on the edge to stabilise the slabs.

When lateral covering is possible, the slabs glued to the side finishing plate and the lateral riser support provide the necessary support to block the riser head.

Safety first!
Use protective glasses and safety gloves



Minimal tools required

- A level



Advices from the Pros

Also recommended :

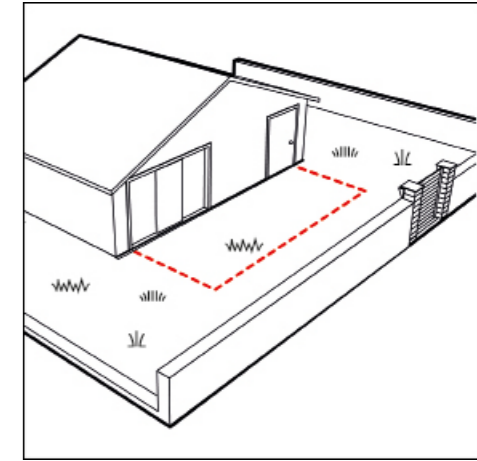
- Straight edge tool
- Chalk or line marking spray
- A slab grad
- A wet saw
- A laser
- A vibrating plate

1 DEFINE THE AREA

› Firstly, define the area for the installation of the terrace.

Pro tip

› Before starting check your pattern : tiles cuts, spacing...



2 SITE PREPARATION

SITE PREPARATION

2 possibilities :

Pro tip

› Ensure area is clean and the ground stabilized (Sweep the ground removing stones).

Onto the ground :

- › Remove about 15 cm of topsoil.
- › Lay a geotextile membrane.
- › Lay a base layer of 0/31.5 grade aggregate.
- › Compact with a vibrating plate.

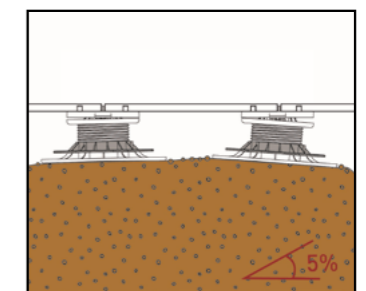
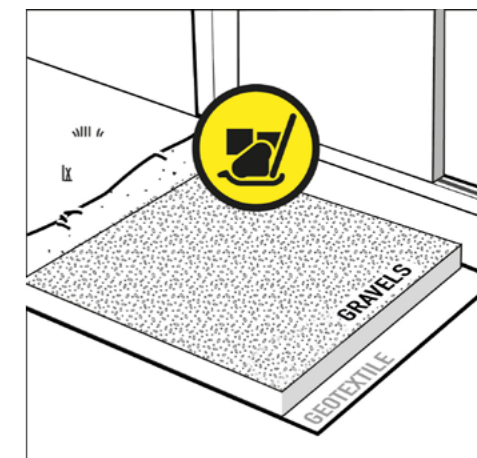
Pro tip

› Depending on the nature of the soil, a draining foundation layer can be laid upstream by depositing a layer of 30/60 or 40/80 crushed stone.

› If the resulting surface is still uneven, we recommend laying a bed of quarry sand or 0/4 crushed sand. This will made it easier to install low riser pedestals.

› We recommend using the vibrating plate compactor between each layer.

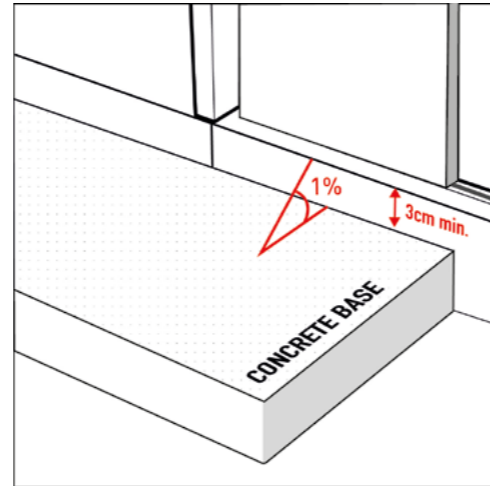
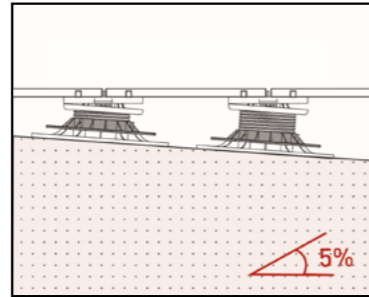
NB : There is no need to level uneven or sloping ground (up to 5%) . Use self-levelling riser pedestals to compensate for the slope to create a level surface.



On a concrete base :

- › Check the available heights at the door or window sills.
- › Allow a minimum of 3 cm.

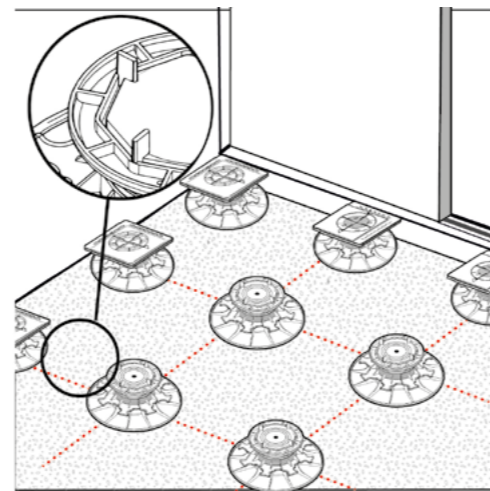
NB : If the concrete base is slightly sloping, the self levelling riser pedestals will overcome slope of up to 5%.



3 RISER POSITION

- › Lay directly the riser onto the surface according to the pattern layout.

Pro tip
› A chalk or line marking spray can be used.

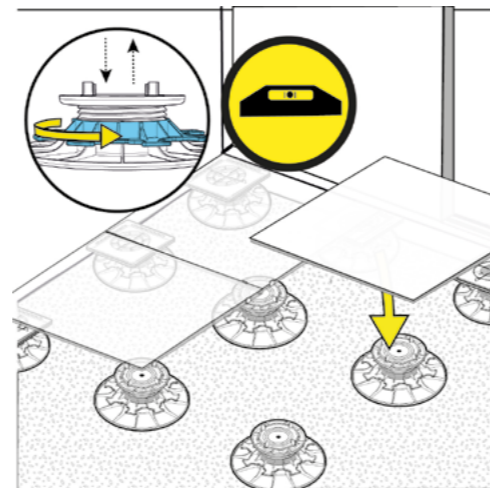


4 TILES, SLABS...INSTALLATION

TILES, SLABS...INSTALLATION

- › Lay the tiles, slabs, wood tiles. Use the spacers to position them.

Pro tip
› For a staggered tile installation, split the spacers that you do not need.
› Use a laser to check heights.



5 HEIGHT ADJUSTMENT

- › Use the nut on the pedestal to simply adjust to the desired height.

Use a level yo make sure the tiles are kept horizontal.

6 TERRACE EDGES FINISHING

For finished paving heights greater than 100 mm, we recommend bonding to a ceramic plinth with a cut tile, using the side finishing plate in association with the lateral riser support.

Different options are possible:

1. EDGE FINISHING USING CUT TILES

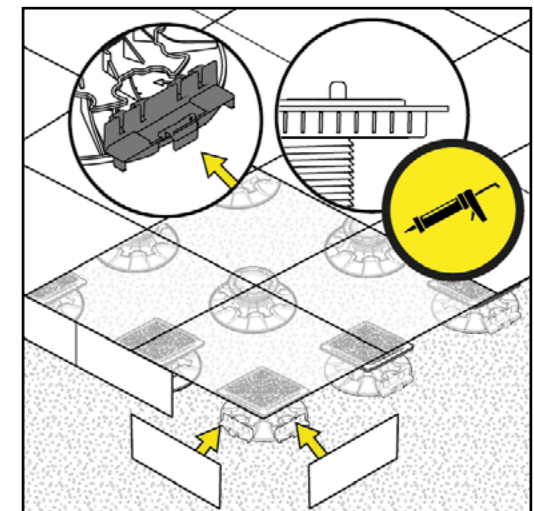
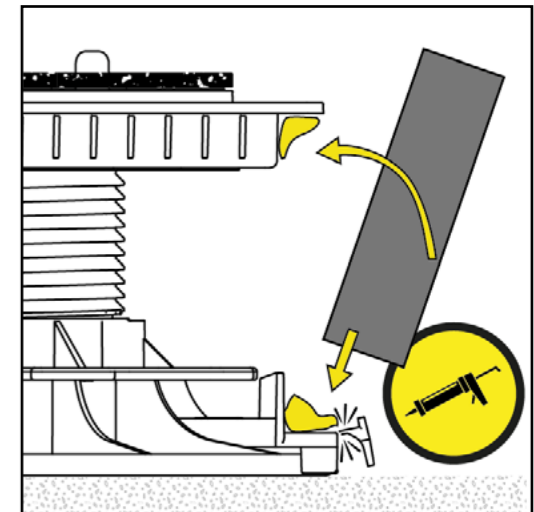
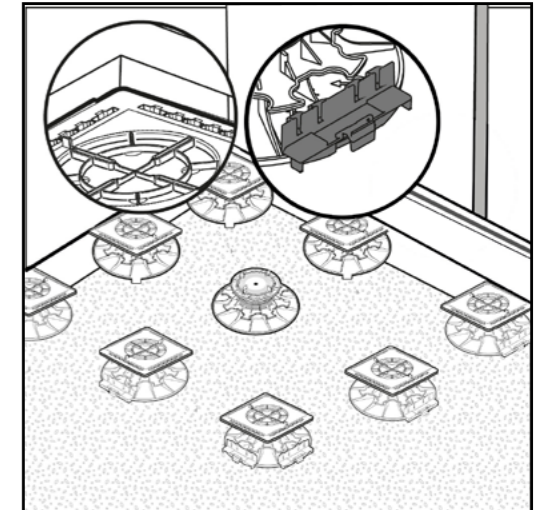
- › Locate the lateral riser support on the riser pedestal base.
- › Clip the side finishing plate to the head of the riser pedestal. Then place an isolation pad on each side finishing plate around the perimeter (optional).

N.B.: The isolation pad raises the finished height by 3 mm.

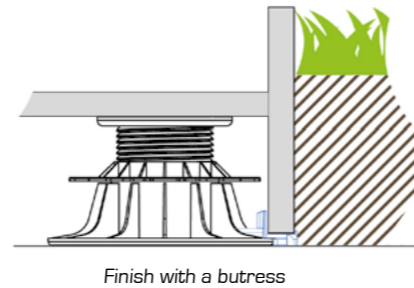
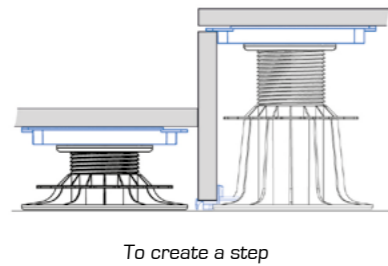
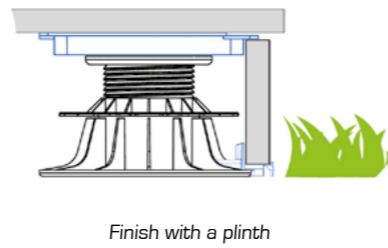
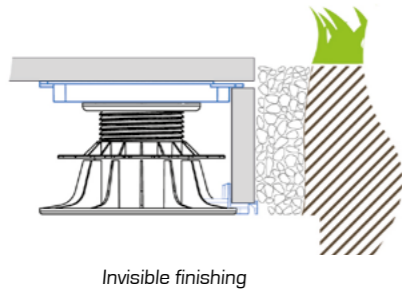
- › Lay all the perimeter tiles.
- › Apply PU adhesive to the glue traps: on the tab of the lateral riser support and on the bottom of the side finishing plate.
- › Slide the lateral plinth vertically into position, pressing firmly against the glue traps.

For a 100% invisible finish, the tab of the lateral riser support can be snapped off.

N.B.: For a no-adhesive installation, the tab is retained and used as an end-stop to hold the bottom of the plinth in place.



4 POSSIBILITIES WITH SIDE FINISHING PLATE AND LATERAL RISER SUPPORT



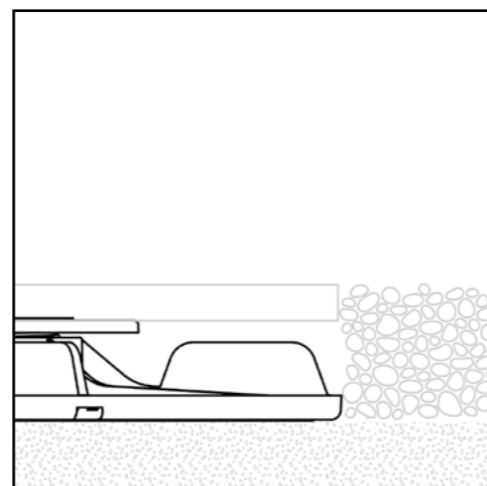
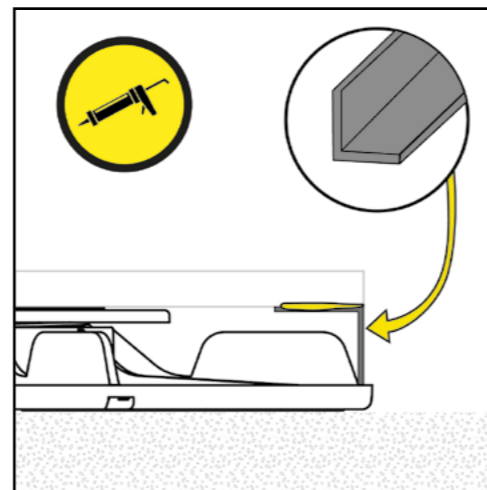
TERRACE FINISHING WITH LOW HEIGHT RISERS PEDESTAL : 8/20 MM & 20/30 MM

The height of the risers is too low to install a lateral covering with a cut ceramic plinth.

Others solutions are possible :

› Using a PU adhesive, glue an L-shaped aluminum profile under the slabs on the sides to hide the risers. Several sizes are available to adapt to the requirements. [available in specialized retails or DIY stores]

› For very low heights, create a gravel bed around the terrace.



2. CLIP-ON FINISH USING THE FINISHING PROFILE

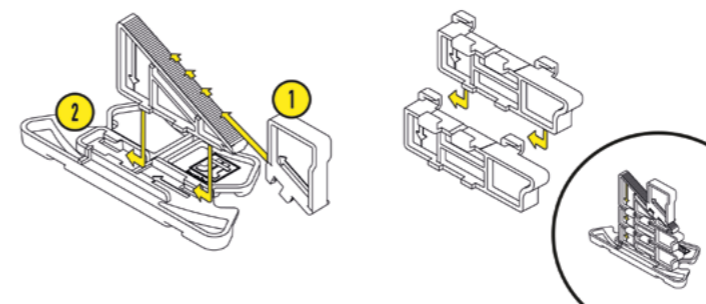
› Before attaching the paved side finishing plates to all the perimeter riser pedestals, locate 1 securing clip in the glue trap of each paved side finishing plate (see diagram).

› Clip the paved side finishing plates onto the riser pedestal heads with the clips facing outwards. Then place a square isolation pad on each paved side finishing plate around the perimeter.

› Lay all the perimeter tiles. Vertically align the edge of each tile with the clip (see diagram).

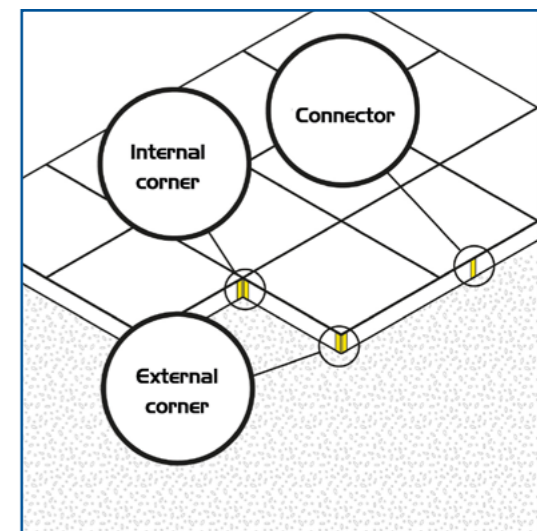
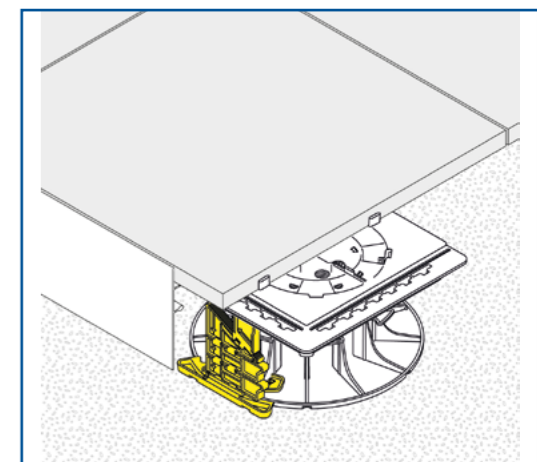
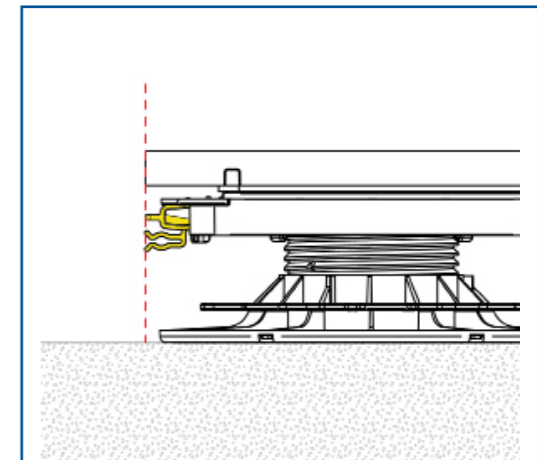
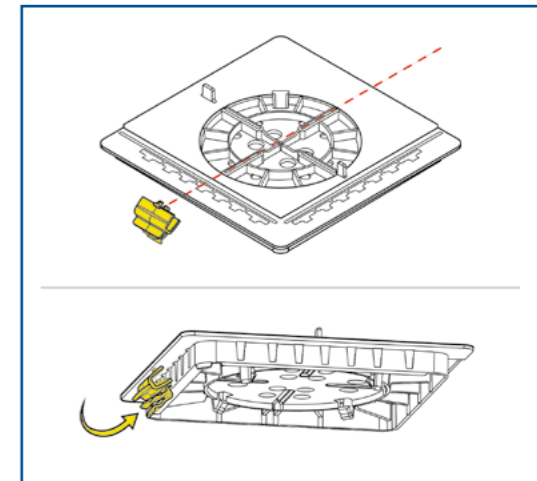
› Set out the finishing profiles to plan for cuts, straight connectors and corner connectors.

› To provide additional support and prevent tipping of terrace-edge or wall-edge paving, you have the option to use the paved [side finishing plate support kit](#) to secure the assembly ([extenders](#) are available for finishing plate support heights greater than 65 mm). Assemble all the components before fitting to the riser pedestal.



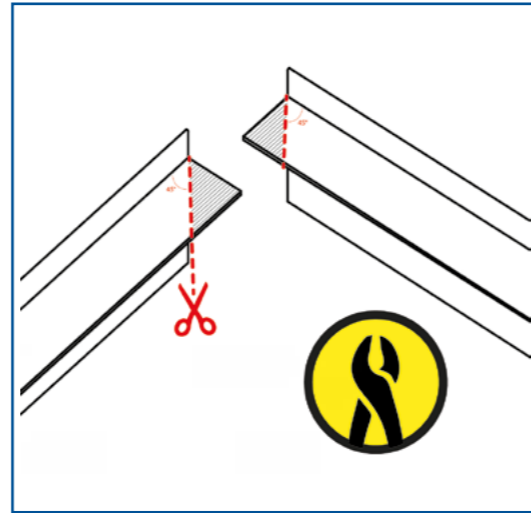
› Begin at a corner.

› Before using connectors and/or corners, it is best to partially remove the protective film at the point where they will be attached.

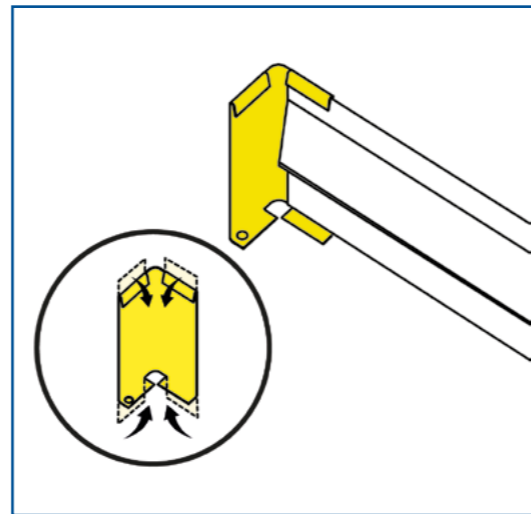


CREATING AN EXTERNAL CORNER

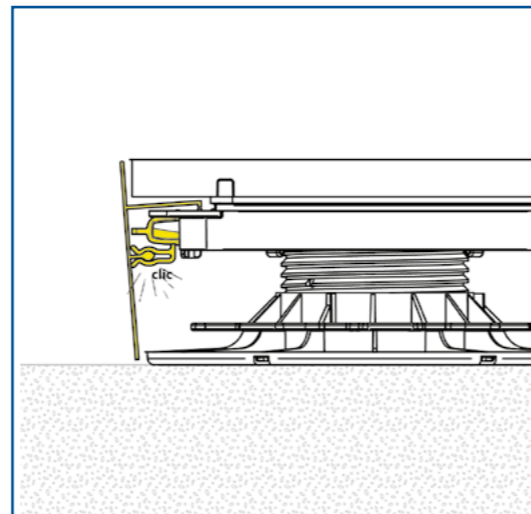
› Cut the tab of each profile fixing tab at 45°.



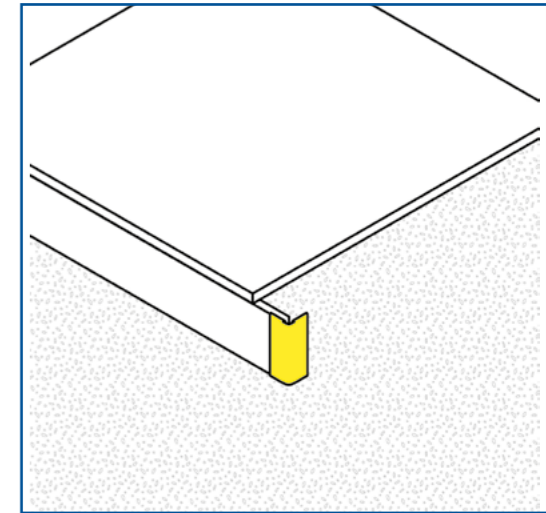
› Attach the corner fitting to the profile. Lightly pre-fold the corner securing tabs.



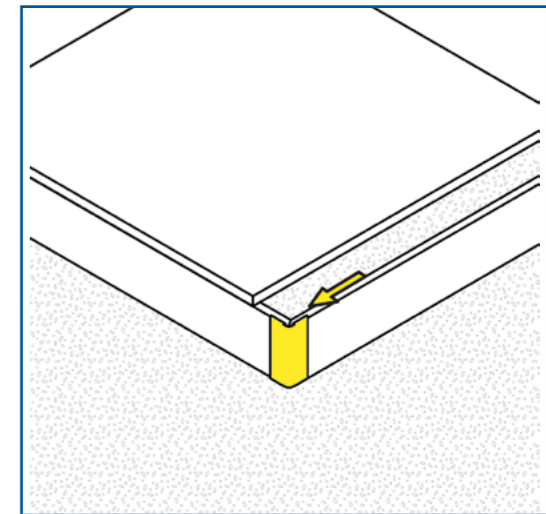
› Tilt the profile forward slightly to locate it in the clip.



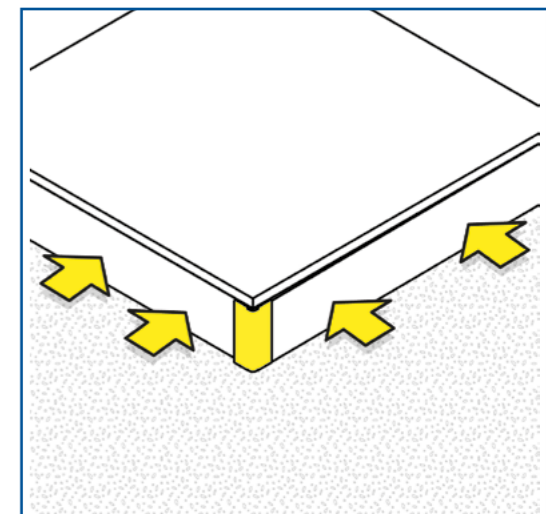
› Pull it slightly forward to make it easier to fit the 2nd profile.



› Insert the 2nd profile into the external corner connector.



› Finish by clipping the entire system firmly in place.



USING STRAIGHT CONNECTORS

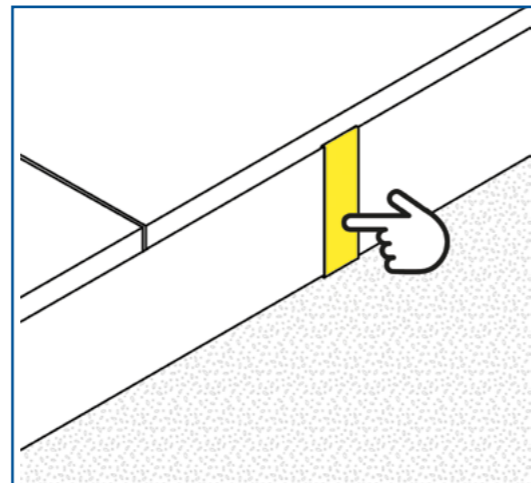
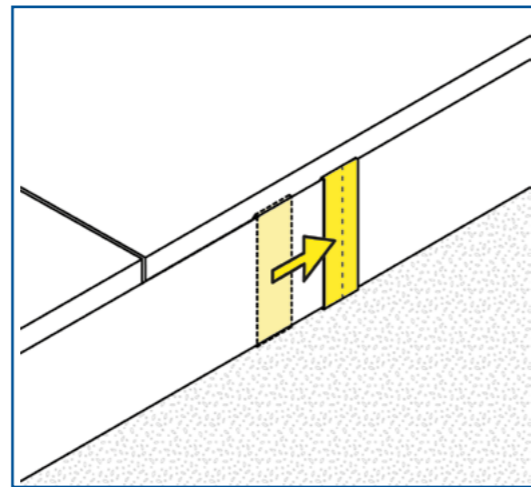
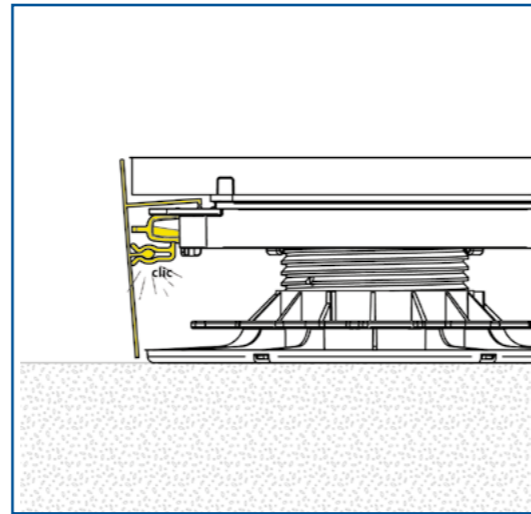
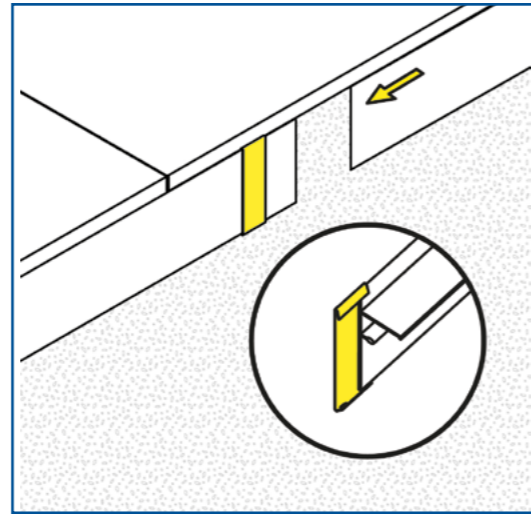
› N.B.: Using straight connectors is optional. Their purpose is aesthetic, rather than structural. Profiles can therefore be joined with or without a straight connector.

› When joining 2 profiles, add a 2nd clip to the paved side finishing plate to hold the ends of the 2 profiles tightly together.

› Tilt the profile forward slightly to locate it in the clip, and clip it into place.

› Clip on the 2nd profile and slide the end into the straight connector.

› Finish by clipping the entire system firmly in place.



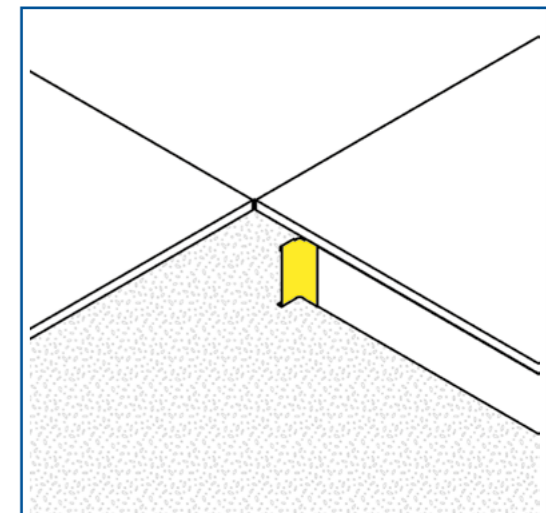
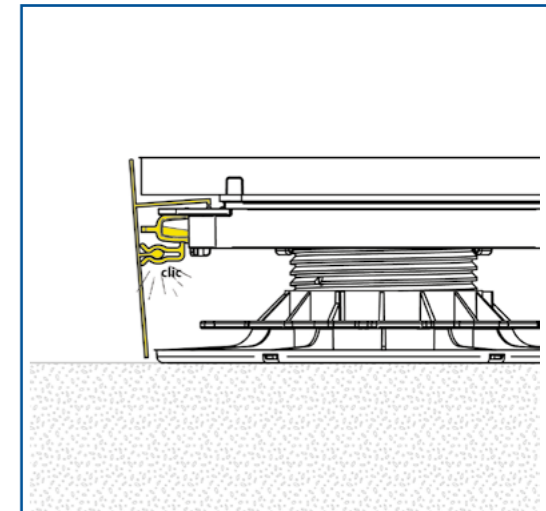
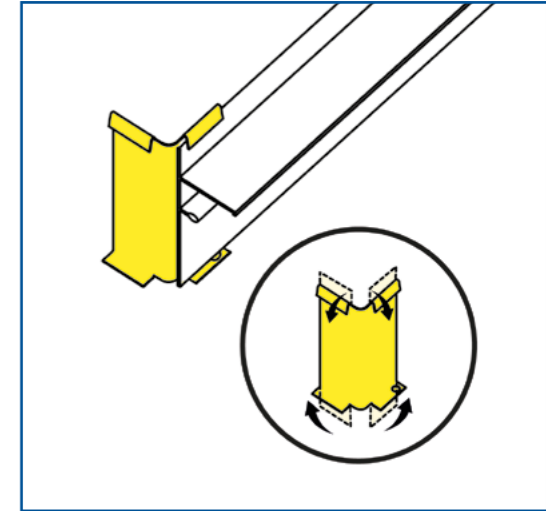
CREATING AN INTERNAL CORNER

› N.B.: Using internal corners is optional. Their purpose is aesthetic, rather than structural. So 2 profiles can be joined to create an internal corner with or without the internal corner connector.

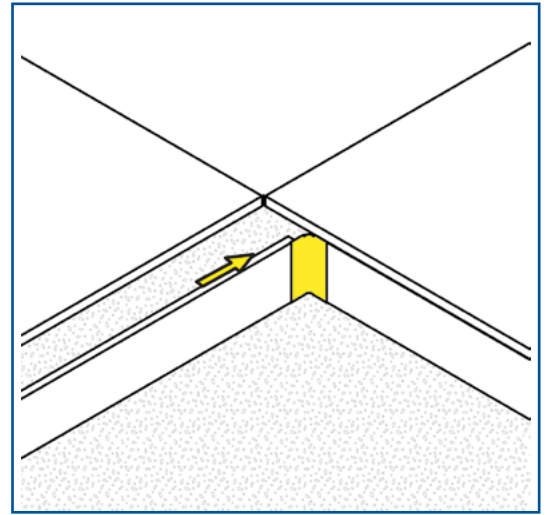
› Attach the corner fitting to the profile. Lightly pre-fold the corner securing tabs.

› Tilt the profile forward slightly to locate it in the clip.

› Pull it slightly forward to make it easier to fit the 2nd profile.



› Insert the 2nd profile into the internal corner connector.



› Finish by clipping the entire system firmly in place.

