



ZONE MARKER

Jouplast®

FOR GREENPLAC® & URBANGRAVEL®



BENEFITS

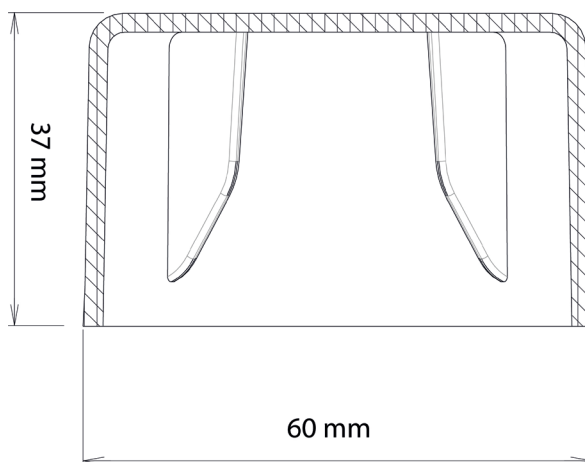
- UV and frost resistant.

APPLICATIONS

- Creates separation lines or floor signal lines when inserted into the tiles.

RECOMMENDATIONS

- To be placed into honeycombed cells according to the desired zone to create before filling.
- Count 2.2 zone markers per m²/l (quantity to be adapted according to the environment and the site).



TECHNICAL DETAILS

- Material: recycled polypropylene
- Colour : black
- Height : 37 mm
- Diameter : 60 mm
- Weight : 19 g

PACKING

- Box of 40 parts