



CLIP-ON FINISHING PROFILE

HEIGHT 70 MM



BENEFITS

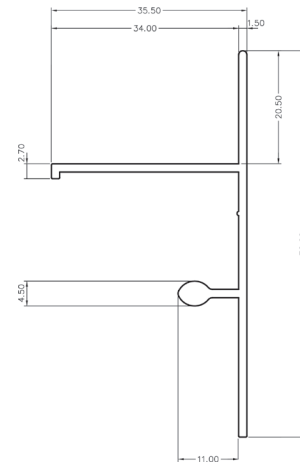
- The only clip-on finishing profile available in the market.
- Saves time compared with slabs cut-out finishing.
- Easy installation: no additional tools, no glue required.
- Aesthetic finishing.
- Easy to fit and remove to enable maintenance and/or inspection beneath the terrace.

APPLICATIONS

- Allows the edge finishing of a paving terrace laid on riser pedestal.
- Suitable for slabs with 20 mm minimum thickness.

RECOMMENDATIONS

- Terraces and patios for pedestrian use only.
- Outdoor use only.



TECHNICAL DETAILS

- Material: aluminium
- Colour: RAL 7016 grey / aluminium grey / RAL 1013 oyster white
- Length: 2.40 m
- Height: 70 mm
- Resistance to temperature from -30°C to +60°C
- UV and frost resistant
- 100% recyclable

PACKING

- Packed by 2 parts

Document protected by copyright. Any reproduction, copy, extraction, reuse in others publications, translation or adaptation, display, distribution or modification, in whole or in part, without the written consent of TMP CONVERT is strictly prohibited and will be sanctioned. TMP CONVERT reserves the right to add, modify or delete information to any time without warning.



www.jouplast.com



FT_JASH140_2410_EN