



Jouplast®

INTERNAL CORNER

FOR CLIP-ON FINISHING PROFILE
HEIGHT 70 MM



BENEFITS

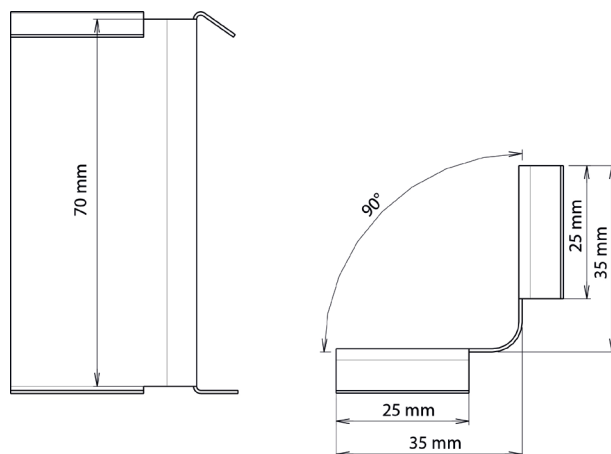
- Ensures correct finishing profiles alignment.
- Creates a neat connection.

✓ APPLICATIONS

- For joining 2 edge finishing profiles to create an internal corner.

💡 RECOMMENDATIONS

- Terraces and patios for pedestrian use only.
- Outdoor use only.



🔍 TECHNICAL DETAILS

- Material: aluminium
- Colour: RAL 7016 grey / aluminium grey / RAL 1013 oyster white
- Height: 70 mm
- Weight: 9 g
- Resistance to temperature from -30°C to +60°C
- UV and frost resistant
- 100% recyclable

📦 PACKING

- Per unit

Document protected by copyright. Any reproduction, copy, extraction, reuse in others publications, translation or adaptation, display, distribution or modification, in whole or in part, without the written consent of TMP CONVERT is strictly prohibited and will be sanctioned. TMP CONVERT reserves the right to add, modify or delete information to any time without warning.



www.jouplast.com



FT_JASH100_2410_EN