



Jouplast®

PROFILDECK®

2,40 M ALUMINIUM JOIST
HEIGHT: 55 MM



BENEFITS

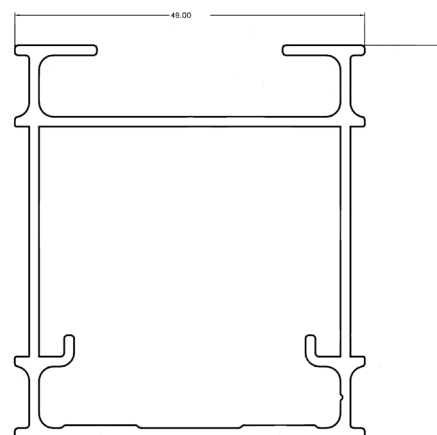
- A single frame for 2 applications.
- Quick to install.
- The option to mix materials.
- Perfect for installing large format slabs (120x120 cm) and narrow slabs (20x120 cm, 30 x 120 cm...).
- 1000-hour salt spray corrosion resistance test.

✓ APPLICATIONS

- Self-supporting structure terrace.
- Double-sided aluminium joist for construction of wooden and composite decking and paved terraces.

🧠 RECOMMENDATIONS

- Terraces and patios for pedestrian use only.
- Outdoor use only.
- To be used with Profildeck® accessories.
- For IFU, see the website.



🔍 TECHNICAL DETAILS

- Material: aluminium
- Two-sided: a single reference for all surfaces
- Length: 2,40 m
- Weight: 0.958 kg/ linear meter
- Paving side: 12 mm support
- Paving side: joist + adapter + rubber tape = 63 mm
- Decking side: joist + adapter + the anti-condensation tape = 61 mm
- Resistance to temperature from -30°C to +60°C
- 100% recyclable

📦 PACKING

Packed by 4 parts (10 sets per pallet)

Document protected by copyright. Any reproduction, copy, extraction, reuse in others publications, translation or adaptation, display, distribution or modification, in whole or in part, without the written consent of TMP CONVERT is strictly prohibited and will be sanctioned. TMP CONVERT reserves the right to add, modify or delete information to any time without warning.



www.jouplast.com



FT_PROTE_2303_EN