



EDGE FINISHING PIECE

FOR EASIO® DECKING RISER PEDESTAL



TECHNICAL DATA SHEET



BENEFITS

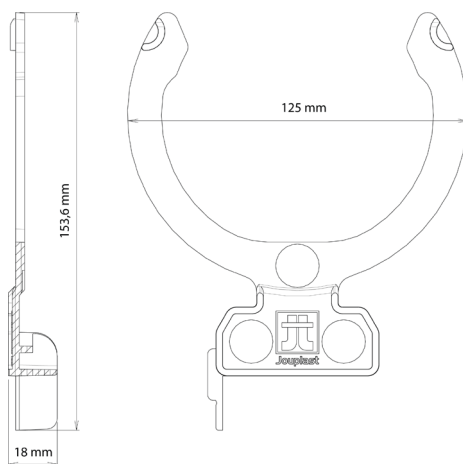
- Mobile : can be positioned independently of the riser head.
- Once positioned, the riser pedestal can still be adjusted.
- Allows the self-levelling function to be eliminated in order to block the joists at the edge of the terrace.
- Patented system.

APPLICATIONS

- Enables the edge finishing of the decking.

RECOMMENDATIONS

- Terraces and patios for pedestrian use only.
- Outdoor use only.
- To be positioned under the riser head, with the Jouplast® logo facing up. To make assembly easier, tilt the head by pressing on one side, then insert it from the opposite side.



TECHNICAL DETAILS

- Material : recycled polypropylene
- Colour : black
- Dimensions : 153,6 mm x 125 mm - Height : 18 mm
- Weight : 0,020 kg
- Resistance to temperature from -30°C to +60°C
- UV and frost resistant

PACKING

- Box of 10 parts (128 boxes per pallet - Stackable)

Document protected by copyright. Any reproduction, copy, extraction, reuse in others publications, translation or adaptation, display, distribution or modification, in whole or in part, without the written consent of TMP CONVERT is strictly prohibited and will be sanctioned. TMP CONVERT reserves the right to add, modify or delete information to any time without warning.



www.jouplast.com



FT-EASIOFINL2411_EN