



# ZONE MARKER

FOR ALVEPLAC®



## BENEFITS

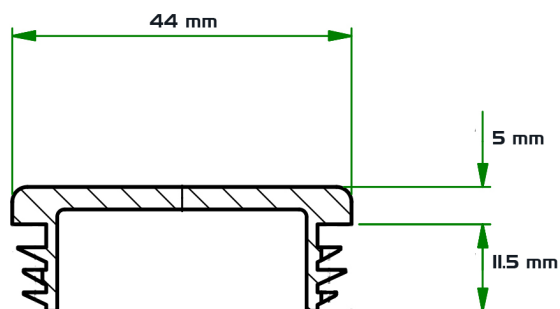
- UV and frost resistant

## APPLICATIONS

- Creates separation lines or floor signal lines when inserted into the mat.

## RECOMMENDATIONS

- To be placed into honeycombed cells according to the desired zone to create before filling.
- Count 2.2 zone markers per m<sup>2</sup> (quantity to be adapted according to the environment and the site).



## TECHNICAL DETAILS

- Material: recycled high-density polyethylene
- Colour: grey or white
- Diameter: 44 mm

## PACKING

Box of 100 parts  
(128 boxes per pallet)

Document protected by copyright. Any reproduction, copy, extraction, reuse in others publications, translation or adaptation, display, distribution or modification, in whole or in part, without the written consent of TMP CONVERT is strictly prohibited and will be sanctioned. TMP CONVERT reserves the right to add, modify or delete information to any time without warning.



www.jouplast.com

