



Jouplast®

# SELF LEVELLING RISER PEDESTAL EASIO® FOR DECKING

HEIGHT 130/230 MM



TECHNICAL DATA SHEET



## BENEFITS

- The diamond-shaped head enables double joisting on a single row of riser pedestals and the use of a brace before final fixing.
- 2 fixing tabs enable joists between 40 and 80 mm wide to be laid and centred.
- Possibility to pre-set the riser pedestals using the driver bit
- Option to use a single or double screw fixing for butt joints.
- Double joisting with a 50 mm gap.
- Performed lateral solution: 2 lateral integrated riser supports.
- One-piece riser pedestal.
- Square base for easy fitting at corners.
- Self-levelling head.
- Patented system.

## APPLICATIONS

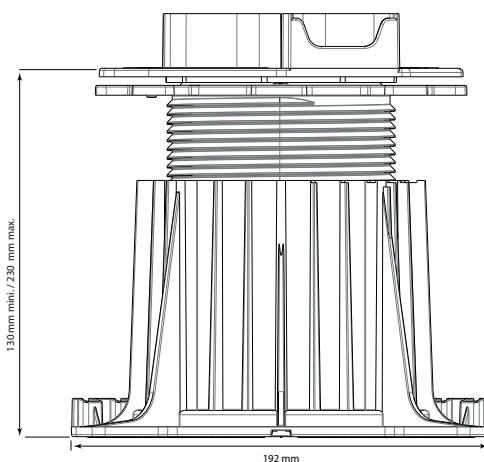
- Ideal for creating natural wooden or composite decking for pedestrian use only.
- Facilitates construction of decking on uneven or irregular ground.
- Compensates for, or can be used to create, gradients of up to 5% on all types of ground.
- Uses a specially designed system for the clean edging of timber decking.
- Enables the laying and centring of joists between 40 and 80 mm wide.
- Enables double joisting with a single row of riser pedestals.

## RESISTANCE

- Resistance to crushing test exceeds 1T.

## RECOMMENDATIONS

- Terraces and patios for pedestrian use only.
- Outdoor use only.
- To bring the joist into contact with the fixing tabs, rotate the riser pedestal head anticlockwise.



## TECHNICAL DETAILS

- Material : recycled polypropylene
- Colour : black, green
- Adjustable height : mini.: 130 mm / maxi.: 230 mm
- Dimensions of the base : 192 mm x 192 mm - Bearing contact area > 300 cm<sup>2</sup>
- Support surface : 117 cm<sup>2</sup>
- Vertical lugs height : 25 mm
- Weight : 0,682 kg
- Resistance to temperature from -30°C to +60°C
- UV and frost resistant

## PACKING

- Box of 8 parts (18 boxes per pallet - Stackable)

Document protected by copyright. Any reproduction, copy, extraction, reuse in others publications, translation or adaptation, display, distribution or modification, in whole or in part, without the written consent of TMP CONVERT is strictly prohibited and will be sanctioned. TMP CONVERT reserves the right to add, modify or delete information to any time without warning.



www.jouplast.com



FILEA-SI0190230\_2411\_EN