



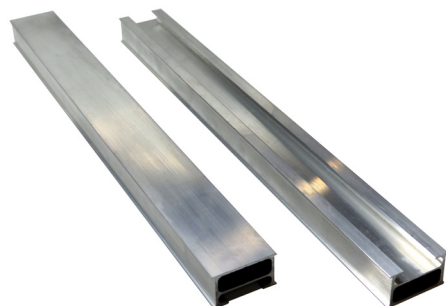
Jouplast®

PROFILDECK®

2,40 M ALUMINIUM JOIST
HEIGHT: 27 MM



TECHNICAL DATA SHEET



BENEFITS

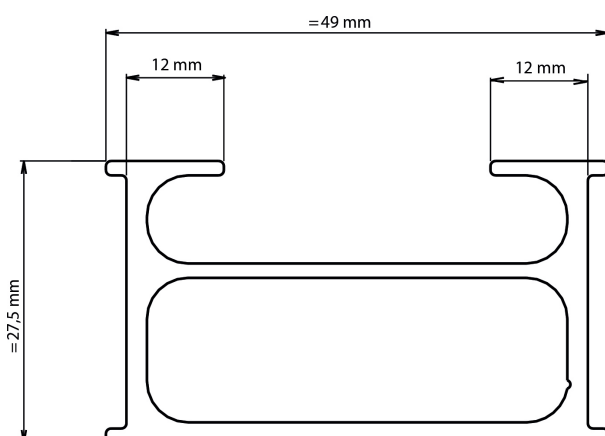
- A single frame for 2 applications.
- Quick to install.
- The option to mix materials.
- Perfect for installing large format slabs (120x120 cm) and narrow slabs (20x120 cm, 30 x 120 cm...).
- 1000-hour salt spray corrosion resistance test.

APPLICATIONS

- Self-supporting structure terrace perfect for renovation or for low projects.
- Double-sided aluminium joist for construction of wooden and composite decking and paved terraces.

RECOMMENDATIONS

- Terraces and patios for pedestrian use only.
- Outdoor use only.
- The 27 mm joist is to be used only with the 20/30 mm Essential riser pedestal.
- Not compatible with Profildeck® angle brackets.
- Not compatible with Profildeck® T-piece for lateral finishing.
- For IFU, see the website.



TECHNICAL DETAILS

- Material: aluminium
- Two-sided: a single reference for all surfaces
- Length: 2,40 m
- Paving side: 12 mm support
- Paving side: joist + adapter + rubber tape = 35 mm
- Decking side: joist + adapter + the anti-condensation tape = 33 mm
- Weight: 0.835 kg / linear meter
- Resistance to temperature from -30°C to +60°C
- 100% recyclable

PACKING

- Packed by 4 parts (10 sets per pallet)

Document protected by copyright. Any reproduction, copy, extraction, reuse in others publications, translation or adaptation, display, distribution or modification, in whole or in part, without the written consent of TMP CONVERT is strictly prohibited and will be sanctioned. TMP CONVERT reserves the right to add, modify or delete information to any time without warning.



www.jouplast.com



FT_PLEV_2406_EN