



FIXEGO®

Jouplast®

## CLEATS



### BENEFITS

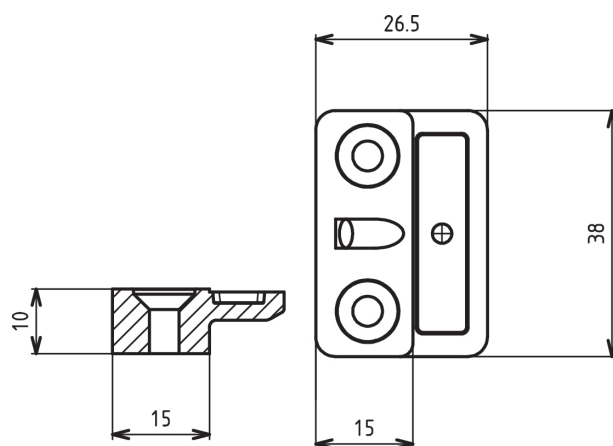
- One single part for the start and the end of the joist.
- The cleat can be used as a 5 mm template to ensure its good positioning.
- Good pullout test.

### APPLICATIONS

- Enables decking installation with no unsightly screw holes.
- Decking start and end cleats for use with the FIXEGO® invisible fixing system.

### RECOMMENDATIONS

- Terraces and patios for pedestrian use only.
- Outdoor use only.
- Wooden decking boards must have a moisture content of between 18 and 22 % to avoid any risk of the structure becoming unstable. The structural integrity of Fixego® installations is not guaranteed where decking board moisture content is above 22 %.
- It is recommended that the joists and the decking boards are made from the same species of wood.
- Fixego® is not recommended for use with unstable wood (e.g. acacia).
- Before use, check that the steel screws (with Sylverplus treatment) supplied in the bucket are compatible with the type or characteristics of the decking boards (e.g. these screws are not compatible with ACCOYA and similar treated timbers).
- Do not use Fixego® with composite boards.
- Estimated installation time (average estimate for a skilled timber decking contractor) : Our estimates suggest that it takes 10% to 15% longer to install decking using the Fixego® system than with conventional techniques (joist preparation and installation being identical). The majority of the additional time required is used to begin the deck laying process, which is a little more technical than conventional methods.
- For IFU, see the website.



### TECHNICAL DETAILS

- Material: reinforced polypropylene
- Colour: black
- Dimensions : 26.5 x 38 x 10 mm
- Resistance to temperature from -30°C to +60°C
- UV and frost resistant

### PACKING

- Box of 10 Cleats and 24 screws (4x25) (264 boxes per pallet)

Document protected by copyright. Any reproduction, copy, extraction, reuse in others publications, translation or adaptation, display, distribution or modification, in whole or in part, without the written consent of TMP CONVERT is strictly prohibited and will be sanctioned. TMP CONVERT reserves the right to add, modify or delete information to any time without warning.



www.jouplast.com

