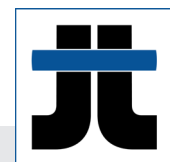


ALVEPLAC®

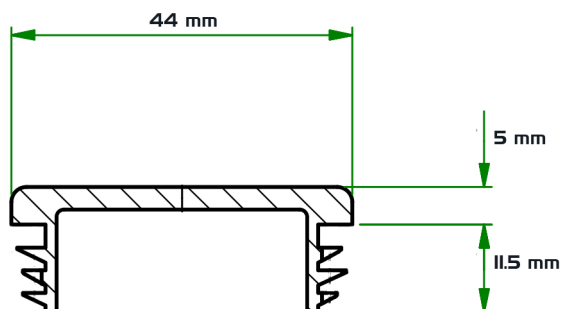
ZONE MARKER



Jouplast®



DONNÉES TECHNIQUES



- › Material : Recycled high-density polyethylene
- › Colour : white or grey
- › Diameter : Ø 44 mm (upper part) / Ø 42 mm (lower part)

APPLICATIONS

- › Can be used to create zones, lines. Example : parking.



PACKING

Box of 100 parts

RECOMMENDATIONS

- › To be placed into honeycombed cells according to the desired zone to create before filling with gravels. (eg : parking place)

Document protected by copyright. Any reproduction, copy, extraction, reuse in others publications, translation or adaptation, display, distribution or modification, in whole or in part, without the written consent of TMP CONVERT is strictly prohibited and will be sanctioned. TMP CONVERT reserves the right to add, modify or delete information to any time without warning.

